

## Instruction for Use

021819/10/17

### ***Wind Transmitter „First Class“ Advanced II***

*Classified according to IEC 61400-12-1 EDITION 2.0 (2017-03)*

**4.3352.00.000**

**4.3352.10.000**



### **ADOLF THIES GmbH & Co. KG**

Hauptstraße 76 37083 Göttingen Germany  
Box 3536 + 3541 37025 Göttingen  
Phone +49 551 79001-0 Fax +49 551 79001-65  
www.thiesclima.com info@thiesclima.com

## Safety Instructions

- Before operating with or at the device/product, read through the operating instructions. This manual contains instructions which should be followed on mounting, start-up, and operation. A non-observance might cause:
  - failure of important functions
  - endangerment of persons by electrical or mechanical effect
  - damage to objects
- Mounting, electrical connection and wiring of the device/product must be carried out only by a qualified technician who is familiar with and observes the engineering regulations, provisions and standards applicable in each case.
- Repairs and maintenance may only be carried out by trained staff or **Adolf Thies GmbH & Co. KG**. Only components and spare parts supplied and/or recommended by **Adolf Thies GmbH & Co. KG** should be used for repairs.
- Electrical devices/products must be mounted and wired only in a voltage-free state.
- **Adolf Thies GmbH & Co KG** guarantees proper functioning of the device/products provided that no modifications have been made to the mechanics, electronics or software, and that the following points are observed:
- All information, warnings and instructions for use included in these operating instructions must be taken into account and observed as this is essential to ensure trouble-free operation and a safe condition of the measuring system / device / product.
- The device / product is designed for a specific application as described in these operating instructions.
- The device / product should be operated with the accessories and consumables supplied and/or recommended by **Adolf Thies GmbH & Co KG** .
- Recommendation: As it is possible that each measuring system / device / product may, under certain conditions, and in rare cases, may also output erroneous measuring values, it is recommended using redundant systems with plausibility checks for **security-relevant applications**.

## Environment

- As a longstanding manufacturer of sensors Adolf Thies GmbH & Co KG is committed to the objectives of environmental protection and is therefore willing to take back all supplied products governed by the provisions of "ElektroG" (German Electrical and Electronic Equipment Act) and to perform environmentally compatible disposal and recycling. We are prepared to take back all Thies products concerned free of charge if returned to Thies by our customers carriage-paid.
- Make sure you retain packaging for storage or transport of products. Should packaging however no longer be required, please arrange for recycling as the packaging materials are designed to be recycled.



## Documentation

- © Copyright **Adolf Thies GmbH & Co KG**, Göttingen / Germany
- Although these operating instruction has been drawn up with due care, **Adolf Thies GmbH & Co KG** can accept no liability whatsoever for any technical and typographical errors or omissions in this document that might remain.
- We can accept no liability whatsoever for any losses arising from the information contained in this document.
- Subject to modification in terms of content.
- The device / product should not be passed on without the/these operating instructions.

## **Contents**

1	Models available .....	4
2	Application .....	4
3	Construction and Mode of Operation.....	4
4	Recommendation Side Selection / Standard Installation .....	5
5	Installation.....	5
5.1	Mechanical Mounting.....	6
5.2	Electrical Mounting .....	6
5.2.1	Cable .....	6
5.2.1.1	Cable Recommendation .....	6
5.2.2	Cable Shield.....	7
5.2.2.1	Connecting Recommendation for the Cable Shield.....	7
5.2.3	Plug and Cable Mounting .....	8
5.3	Connecting Diagram.....	9
6	Maintenance .....	10
7	Technical Data .....	11
8	Dimensional Drawing .....	12
9	Accessories (optional).....	13
10	EC-Declaration of Conformity .....	14

## **Patent**

Patent Nr.: EP 1 398 637

Patent Nr.: DE 103 27 632

Patent Nr.: EP 1 489 427

# 1 Models available

---

Order - No.	Meas. range	Output Frequency	Supply	Heating
4.3352.00.000	0.3 ... 75m/s	1082Hz @ 50m/s	3.3 ... 48V DC	24V AC/DC, 25W
4.3352.10.000	0.3 ... 75m/s	1082Hz @ 50m/s	3.3 ... 48V DC	w/o heating

The following parts are included in delivery:

- 1 Instrument
- 1 Terminal plug
- 1 Instruction for Use

# 2 Application

---

The wind transmitter is designed for the acquisition of the horizontal component of the wind speed in the field of meteorology and environmental measuring technology, evaluation of location, and measurement of capacity characteristics of wind power systems.

Special characters are defined and optimised, dynamic behaviour also at high turbulence intensity, minimal over-speeding, and a low starting values.

The measuring value is available as digital signal at the output. It can be transmitted to display instruments, recording instruments, data loggers as well as to process control systems. For winter operation the instrument is optional equipped with an electronically regulated heating, which guarantees a smooth running of the ball bearings, and prevents the shaft and slot from icing-up.

# 3 Construction and Mode of Operation

---

A low-inertia cup star with 3 cups, made of carbon-fibre-reinforced plastic, is set into rotation by the wind. The rotation is scanned opto-electronically, and is converted into a square wave signal. The frequency of this signal is proportional to the number of rotations. Depending on the supply voltage, the output signal ranges between maximal output voltage and ground or a potential (life-zero\*), lifted by approx. 1.2V. The supply of the electronics can be done by DC-voltage of 3.3V up to 48V at a very low current consumption. An AC- or DC-voltage of 24V is intended for the separate supply of the optional heating. In all probability, the heating guarantees a trouble-free function of the Wind Transmitter First Class even under extreme meteorological icing-conditions.

The outer parts of the instrument are made of corrosion-resistant anodised aluminium. Highly effective labyrinth gaskets and O-rings protect the sensitive parts inside the instrument against humidity and dust. The instrument is mounted onto a mast tube; the electrical plug-connection is located in the transmitter shaft.

---

\* Useable at a supply voltage > 5V DC.

## 4 Recommendation Side Selection / Standard Installation

---

In general, wind measuring instruments are supposed to record wind conditions over a large area. According to international regulations, the surface wind should be measured at a height of 10m above open terrain, in order to achieve comparable values. An open terrain is defined as terrain where the distance between the wind-measuring instrument and the next obstacle is at least ten times the height of this obstacle (acc. to VDI 3786 sheet 2 as well as Guide to Meteorological Instruments and Methods of Observation, Sixth Edition, WMO-No. 8). If this regulation cannot be fulfilled, the measuring instrument should be installed at a height at where the measurement values are not influenced by any local obstacles. In any case, the measuring instruments should be installed at a height of 6 to 10m above the mean height of the buildings or trees in the vicinity. If it is necessary to install the instrument on a roof, it should be installed in the centre of the roof in order to avoid any preferential directions.

## 5 Installation

---

**Attention:**

*Storing, mounting, and operation under weather conditions is permissible only in vertical position, as otherwise water can get into the instrument.*

---

**Remark:**

*When using fastening adapters (angle, traverses, etc) please take a possible effect to the measuring values by shading into consideration.*

---

**Caution:**

*The device may only be supplied with a power supply of the "Class 2, limited power".*

## 5.1 Mechanical Mounting

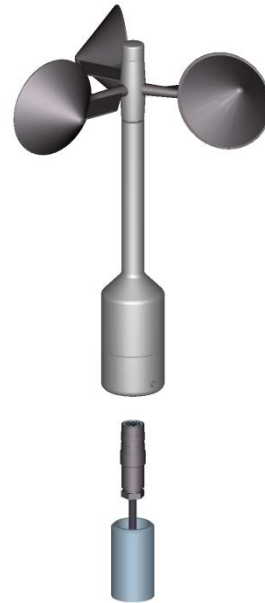
The wind transmitter must be mounted on an instrument carrier, which is suited for the measurement. For dimensions of wind direction transmitter please refer to chapter 8.

### Tools:

Hexagon socket wrench SW3  
(Allen key).

### Procedure:

1. Push cable/ plug connector of the wind transmitter through the borehole of the mast, tube, arm etc.
2. Put wind transmitter on mast, tube, arm etc.
3. Safeguard the wind transmitter by two M6-Allen head screws



### Remark:

Suitable instrument carriers are masts, tubes, traverses, arms, adapters, adapters of POM for isolated mounting, which correspond to the mounting dimensions of the wind transmitter, and to the static requirements.

The inner diameter of the instrument carrier should be  $\geq 20\text{mm}$  based on plug- and cable feed-through.

## 5.2 Electrical Mounting

### 5.2.1 Cable

Solder a shielded cable with diameter 7-8mm and a core cross-section of  $0.5\text{...}0.75\text{mm}^2$  to the enclosed coupling socket.

- The number of necessary wires is given in the connection diagram (chapter 5.3).

#### 5.2.1.1 Cable Recommendation

No. of wires/ diameter / type / cable diameter
CABLE 4X0.5mm <sup>2</sup> LI9YC11Y BLACK, UV- resistant, Ø 6mm
CABLE 8x0.5mm <sup>2</sup> LIYCY BLACK, UV- resistant, Ø 7.6mm

## 5.2.2 Cable Shield

The connection of the cable shield between sensor and data acquisition device should be selected in way, that in case of over-voltages no equalizing currents will flow that might destroy the electronic components.

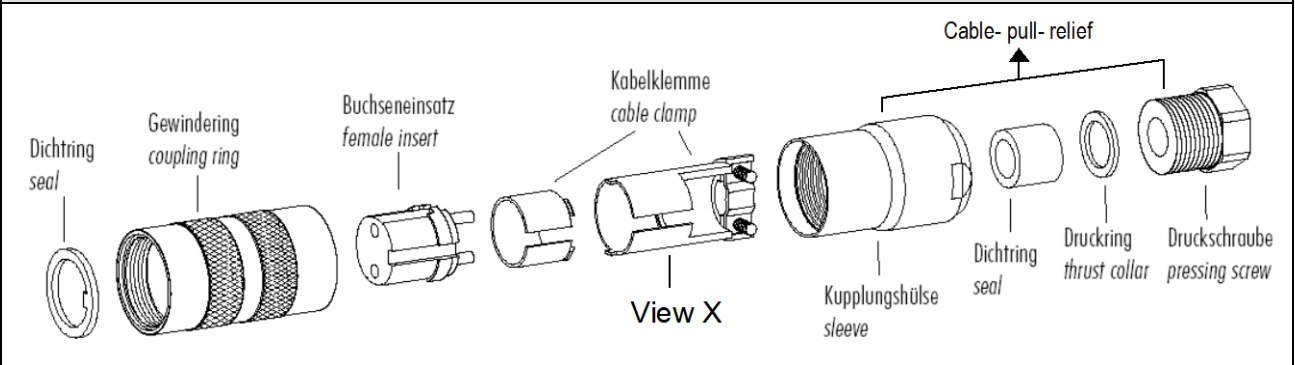
The connection of the cable shield should depend on the selected isolated, or respectively, non-isolated mounting of the sensors.

### 5.2.2.1 Connecting Recommendation for the Cable Shield

	Sensor Carrier	Sensor	Shielding / Ground	Lightning Protection
1.	Metallic measurement mast, grounded	<b>Isolated</b> mounting at the measuring mast (e.g. by non-metallic brackets, holder etc. or by metallic brackets, holder etc. with isolated plastic adaptors).	Apply the cable shield between sensor and data acquisition device (e.g. datalogger) both-sided. Ground data acquisition device.	Mount metallic lightning protection rod on the mast. Alternatively: Install separate lightning protection rod beside the measurement mast.
2.	Metallic measurement mast, grounded	<b>Non-isolated</b> mounting at the measurement mast (e.g. by metallic brackets, holders etc.).	Apply cable shield between sensor and data acquisition device (e.g. datalogger) only one-sided at the acquisition device. Ground data acquisition device.	Mount metallic lightning protection rod on the mast in <b>isolated condition</b> , and ground lightning protection rod. Alternatively: Install separate lightning protection rod beside the measurement mast.
3.	Metallic measurement mast, not grounded (mounted in isolated condition, e.g. on the attic)	<b>Non-isolated</b> mounting at the measurement mast (e.g. by metallic brackets, holders etc.).	Apply the cable shield between sensor and data acquisition device (e.g. datalogger) both-sided. Ground data acquisition device.	Mount metallic lightning protection rod on the mast in <b>isolated condition</b> , and ground lightning protection rod. Alternatively: Install separate lightning protection rod beside the measurement mast.
4.	Non-metallic measuring mast (=isolated)	Mounting at the measurement mast (e.g. by metallic brackets, holders etc.).	Apply the cable shield between sensor and data acquisition device (e.g. datalogger) both-sided. Ground data acquisition device.	Mount metallic lightning protection rod on the mast, and ground lightning protection rod. Alternatively: Install separate lightning protection rod beside the measurement mast.

## 5.2.3 Plug and Cable Mounting

### Coupling socket, Type: Binder, Serial 423, EMC with cable clamp



#### Cable connection: **with** cable shield

1. Stringing parts on cable acc. to plan given above.
2. Stripping cable sheath 20mm  
Cutting uncovered shield 15mm  
Stripping wire 5mm.

##### *Cable mounting 1*

Putting shrink hose or insulating tape between wire and shield.

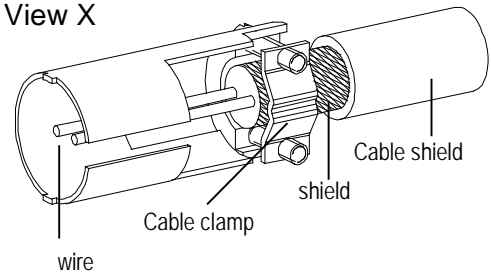
##### *Cable mounting 2*

If cable diameter permits, put the shield backward on the cable sheath.

3. Soldering wire to the insert, positioning shield in cable clamp.
4. Screwing-on cable clamp.
5. Assembling remaining parts acc. to upper plan.
6. Tightening pull-relief of cable by screw-wrench (SW16 und 17).

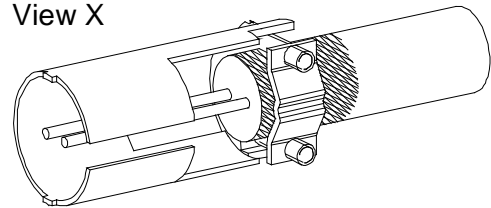
##### *Cable mounting 1*

###### *View X*



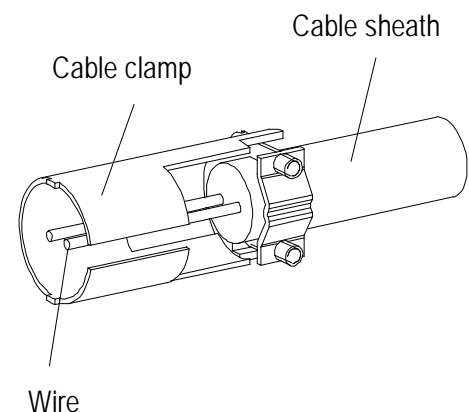
##### *Cable mounting 2*

###### *View X*



#### Cable connection: **without** cable shield

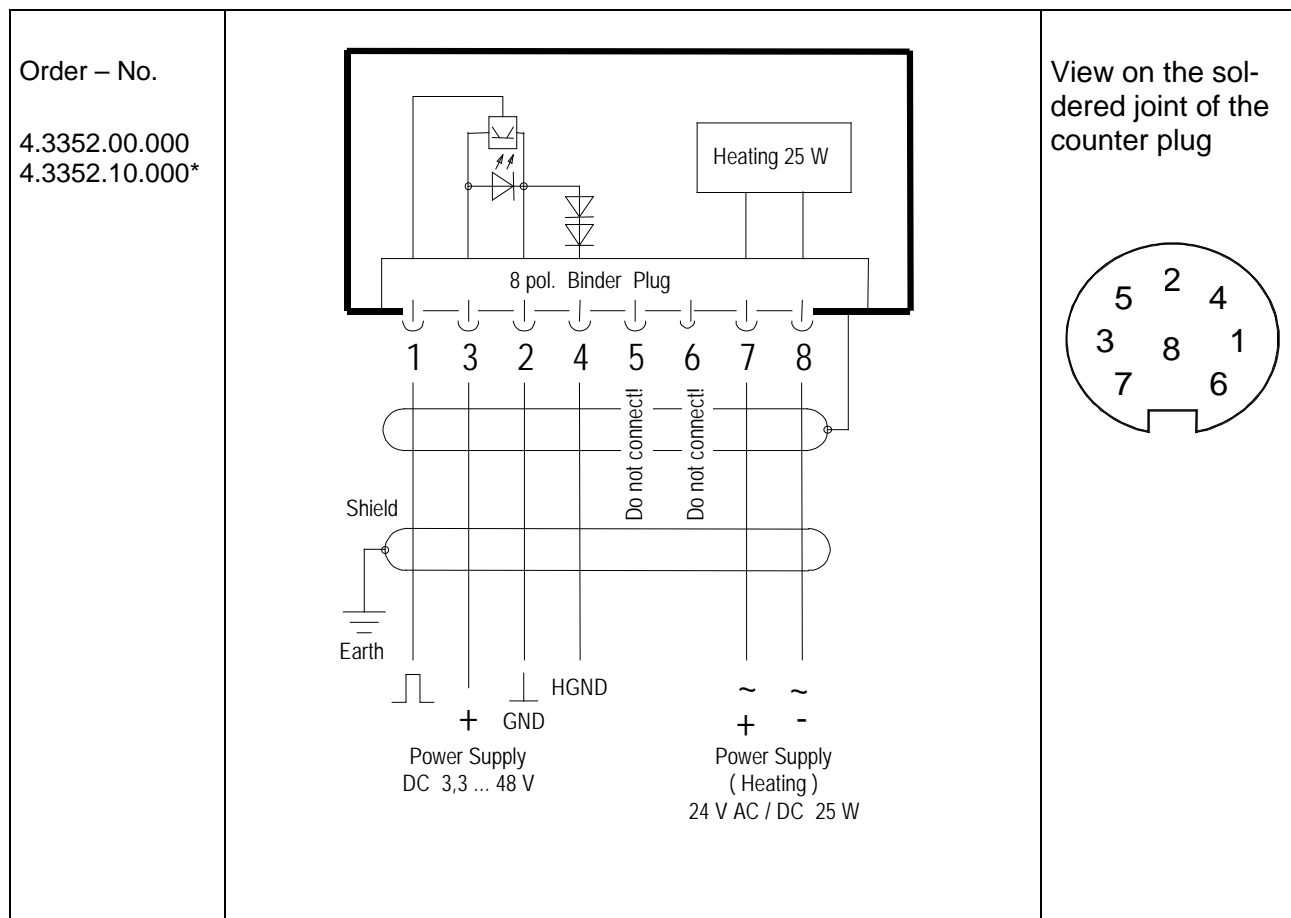
1. Stringing parts on cable acc. to plan given above.
2. Stripping cable sheath 20mm
3. Cutting uncovered shield 20mm
4. Stripping wire 5mm.
5. Soldering wire to the insert.
6. Positioning shield in cable clamp.
7. Screwing-on cable clamp.
8. Assembling remaining parts acc. to upper plan.
9. Tightening pull-relief of cable by screw-wrench (SW16 und 17).





### 5.3 Connecting Diagram

Connection diagram acc. to chapter 5.2.2.1 no.1, 3 and 4:



\*Order-No. 4.3352.10.. (without heating) Pin 7 u. 8 are not connected

Pin 5 u. 6: Do not connect!

Pin	Name	Function
1	SIG	Signal (rectangle)
2	GND	Ground
3	+Us	Supply 3.3V...48V DC
4	HGND	Ground at life-zero signal
5		Do not connect!
6		Do not connect!
7	HZG	Heating supply: voltage: 24V AC/DC power: 25W
8	HZG	

\*Order-No. 4.3352.10.. (without heating) PIN 7 u. 8 are not connected

**Remark:**

The “live-zero” – operating (HGND) can be used only from a supply > 5V DC.

## 6 Maintenance

---

If properly installed, the instrument requires no maintenance. Heavy pollution can lead to blockage of the slot between the rotating and the stable parts of the transmitter. Thus, it is advisable to remove the accumulated dirt from the instrument.

### **Cleaning**

For the cleaning of the device should use a damp cloth without chemical cleaning agents are used.

Certain symptoms of wear and tear can appear on the ball bearings after years of use. These symptoms are expressed in a lowered sensitivity of response, standstill or run-noises of the ball bearings. In case that such disturbances might occur we recommend to return the instrument - in original package - to the factory for maintenance work.

---

### **Remark:**

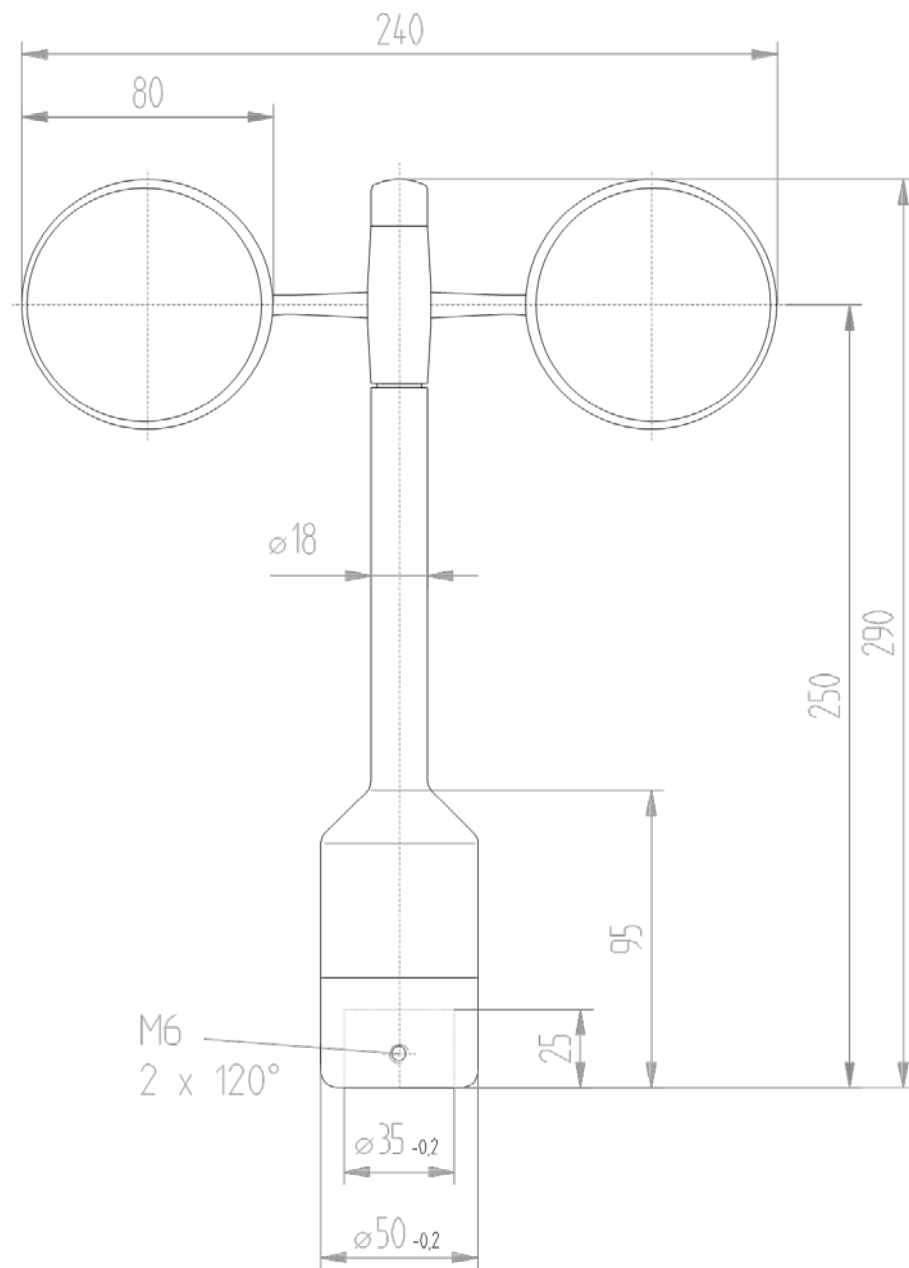
*For transport of instrument please use original packing.*

---

## 7 Technical Data

Characteristic	Description
Measuring range	0.3 ... 75m/s
Measurement uncertainty	±1% from the measured value or < ±0,2m/s @ 0,3 ... 50m/s
Survival speed	80 m/s (min. 30 minutes)
Permissible Ambient conditions	-50 ... +80 °C, all occurring situations of relative humidity (incl. dew moistening)
Output signal	<b>Form</b> rectangle, edge steepness < 1µsec <b>Frequency</b> 1082Hz @ 50m/s <b>Amplitude</b> is supply voltage, max. 15V <b>Push-Pull Output</b> output resistance: typical 100Ω ≥ 10V, 130Ω @ 5V, 230Ω @ 3.3V Constant power limiting on typical 25mA <b>Load</b> R ≥ 1kΩ C ≤ 200nF (corresp. to length typical cable < 1km)
Linearity	Correlation factor r between frequency and wind speed $y=0.0462 \cdot f + 0.21$ typical $r > 0.99999$ (4 ... 20m/s)
Starting velocity	< 0.3m/s
Resolution	0.05m wind run
Distance constant	< 3m (acc. to ASTM D 5096 – 96) 3m acc. to ISO 17713-1
Turbulent flow	Deviation Δv turbulent compared with stationary horizontal flow $-0.5\% < \Delta v < +2\%$ Frequency < 2Hz
Classification	According to IEC 61400-12-1 Edition 2.0 Wind Turbine Power Performance Testing 2017-03
Wind load	Approx. 100N @ 75m/s
Heating	Surface temperature of housing neck > 0°C at 20m/s up to –10°C air temperature, at 10m/s up to –20°C using the THIES icing standard 012002 on the housing neck. Heating regulated by temperature sensor
Electrical supply for opto-electronic scanning	Voltage: 3.3 ... 48V DC (galvanic isolation from housing) Current: 130µA typ. 150µA max. @ 3.3 ... 15.0V (w/o external load) 180µA typ. 200µA max. @ 15 ... 48V (w/o external load)
Electrical supply for heating	Voltage: 24V AC/DC, 54 ... 65Hz (galvanic isolation from housing) Idling voltage: max. 30V AC, max. 48V DC Capacity: 25W
Connection	8-pole plug-connection for shielded cable in the shaft (see connecting diagram)
Mounting	Mounting on mast R 1“, for ex. DIN 2441 1½ “ with separate adaptor (option)
Dimensions	See dimension diagram.
Weight	approx. 0.5kg
Protection	IP 55 (DIN 40050)

## 8 Dimensional Drawing



## 9 Accessories (optional)

<p>Traverse 0.6m</p> <p>For mounting the wind speed and wind direction transmitter jointly onto a mast.</p>	4.3174.00.000	<p>Horizontal sensor distance: 0.6m</p> <p>Vertical sensor distance: 0.2m</p> <p>Mast receptacle: 48 ... 50mm</p> <p>Material: Aluminum, anodised</p> <p>Dimensions: tube Ø 34x4mm, 668mm long, 756mm high</p>
<p>Hanger –FIRST CLASS- 1m</p> <p>For the lateral mounting of a wind speed and wind direction transmitter onto a mast tube.</p>	4.3184.01.000	<p>Sensor distance to mast: 1m</p> <p>Mast clamp: Ø 40 ... 80mm</p> <p>Tube diameter: 34mm</p> <p>Material: Aluminum</p>
<p>Lightning rod</p> <p>For mounting the a/m traverse or hanger.</p>	4.3100.98.000	<p>Dimension: Ø 12mm, 500mm long, 1050mm high</p> <p>Material: Aluminum</p>
<p>Adaptor</p> <p>For isolated mounting of each wind transmitter and wind direction transmitter on the traverse (4.3174.0.000).</p>	509077	<p>Dimension: A:Ø 34mm, outside 25mm high B:Ø 35mm, inside 45mm high</p> <p>Material: POM</p>

Please contact us for other accessories such as cables, power supply units, masts, as well as for additional mast- or system-constructions.

Example: Wind transmitter with traverse 4.3174.00.000 and lightning rod 4.3100.98.000.



# 10 EC-Declaration of Conformity

Document-No.: 001575

Month: 10 Year: 17

Manufacturer: **ADOLF THIES GmbH & Co. KG**

Hauptstr. 76  
D-37083 Göttingen  
Tel.: (0551) 79001-0  
Fax: (0551) 79001-65  
email: Info@ThiesClima.com

This declaration of conformity is issued under the sole responsibility of the manufacturer

Description of Product: **Windsensor First Class Advanced II, Windsensor First Class Advanced X**

Article No.	<b>4.3352.00.000</b>	<b>4.3352.10.000</b>	<b>4.3352.00.400</b>	<b>4.3352.10.400</b>
-------------	----------------------	----------------------	----------------------	----------------------

specified technical data in the document: **021813/10/17, 021818/10/17**

The indicated products correspond to the essential requirement of the following European Directives and Regulations:

2014/30/EU	DIRECTIVE 2014/30/EU OF THE EUROPEAN PARLIAMENT AND OF THE COUNCIL of 26 February 2014 on the harmonisation of the laws of the Member States relating to electromagnetic compatibility
2014/35/EU	DIRECTIVE 2014/35/EU OF THE EUROPEAN PARLIAMENT AND OF THE COUNCIL of 26 February 2014 on the harmonisation of the laws of the Member States relating to the making available on the market of electrical equipment designed for use within certain voltage limits
552/2004/EC	Regulation (EC) No 552/2004 of the European Parliament and the Council of 10 March 2004 on the interoperability of the European Air Traffic Management network (the interoperability Regulation)
2011/65/EU	DIRECTIVE 2011/65/EU OF THE EUROPEAN PARLIAMENT AND OF THE COUNCIL of 8 June 2011 on the restriction of the use of certain hazardous substances in electrical and electronic equipment
2012/19/EU	DIRECTIVE 2012/19/EU OF THE EUROPEAN PARLIAMENT AND OF THE COUNCIL of 4 July 2012 on waste electrical and electronic equipment (WEEE)

The indicated products comply with the regulations of the directives. This is proved by the compliance with the following standards:

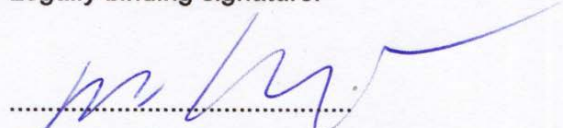
EN 61000-6-2	Electromagnetic compatibility Immunity for industrial environment
EN 61000-6-3	Electromagnetic compatibility Emission standard for residential, commercial and light industrial environments
EN 61010-1	Safety requirements for electrical equipment for measurement, control, and laboratory use. Part 1: General requirements
EN 50581	Technical documentation for the assessment of electrical and electronic products with respect to the restriction of hazardous substances


Place: Göttingen  
Signed for and on behalf of:

Date: 24.10.2017

Legally binding signature:

issuer:

  
Thomas Stadie, General Manager Sales

  
Joachim Beinhorn, Development Manager

This declaration certifies the compliance with the mentioned directives, however does not include any warranty of characteristics. Please pay attention to the security advises of the provided instructions for use.





## **ADOLF THIES GmbH & Co. KG**

Hauptstraße 76 37083 Göttingen Germany  
P.O. Box 3536 + 3541 37025 Göttingen  
Phone +49 551 79001-0 Fax +49 551 79001-65  
www.thiesclima.com info@thiesclima.com



- Alterations reserved -