

Datalogger DLU

Short – Instructions for use First Steps – Start Up

9.1711.10.000



Dok. No. 021847/08/21

THE WORLD OF WEATHER DATA

Safety Instructions

- Before operating with or at the device/product, read through the operating instructions. This manual contains instructions which should be followed on mounting, start-up, and operation. A non-observance might cause:
 - failure of important functions
 - endangerment of persons by electrical or mechanical effect
 - damage to objects
- Mounting, electrical connection and wiring of the device/product must be carried out only by a qualified technician who is familiar with and observes the engineering regulations, provisions and standards applicable in each case.
- Repairs and maintenance may only be carried out by trained staff or **Adolf Thies GmbH & Co. KG**. Only components and spare parts supplied and/or recommended by **Adolf Thies GmbH & Co. KG** should be used for repairs.
- Electrical devices/products must be mounted and wired only in a voltage-free state.
- **Adolf Thies GmbH & Co KG** guarantees proper functioning of the device/products provided that no modifications have been made to the mechanics, electronics or software, and that the following points are observed:
- All information, warnings and instructions for use included in these operating instructions must be taken into account and observed as this is essential to ensure trouble-free operation and a safe condition of the measuring system / device / product.
- The device / product is designed for a specific application as described in these operating instructions.
- The device / product should be operated with the accessories and consumables supplied and/or recommended by **Adolf Thies GmbH & Co KG** .
- Recommendation: As it is possible that each measuring system / device / product may, under certain conditions, and in rare cases, may also output erroneous measuring values, it is recommended using redundant systems with plausibility checks for **security-relevant applications**.

Environment

- As a longstanding manufacturer of sensors Adolf Thies GmbH & Co KG is committed to the objectives of environmental protection and is therefore willing to take back all supplied products governed by the provisions of "*ElektroG*" (German Electrical and Electronic Equipment Act) and to perform environmentally compatible disposal and recycling. We are prepared to take back all Thies products concerned free of charge if returned to Thies by our customers carriage-paid.
- Make sure you retain packaging for storage or transport of products. Should packaging however no longer be required, please arrange for recycling as the packaging materials are designed to be recycled.



Documentation

- © Copyright **Adolf Thies GmbH & Co KG**, Göttingen / Germany
- Although these operating instructions have been drawn up with due care, **Adolf Thies GmbH & Co KG** can accept no liability whatsoever for any technical and typographical errors or omissions in this document that might remain.
- We can accept no liability whatsoever for any losses arising from the information contained in this document.
- Subject to modification in terms of content.
- The device / product should not be passed on without the/these operating instructions.

Inhaltsverzeichnis

1	Startup	4
---	---------------	---

Abbildungen

Figure 1:	Datalogger DLU.....	4
Figure 2:	Thies Dvice Utility Screenshot	5
Figure 3:	Measurement query.....	5

1 Startup

1. Please download from page:

<https://www.thiesclima.com/de/Download/>

in the section "General", the program "Thies device utility" on your PC and install the programm.

2. Please connect the datalogger to the supply voltage 24V.

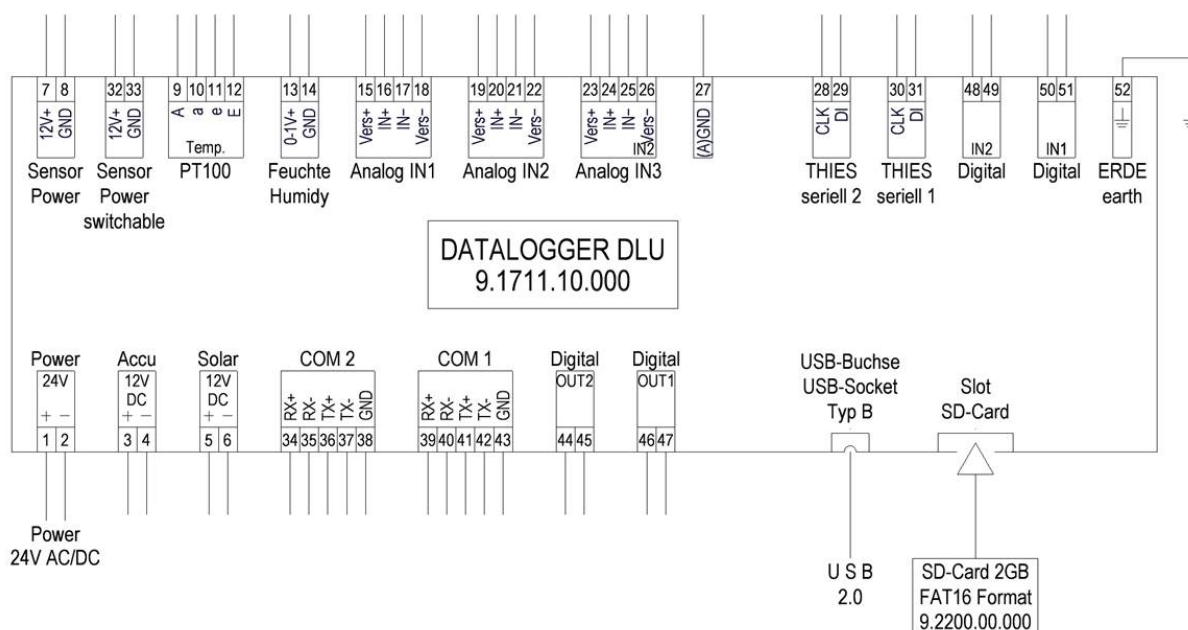


Figure 1:Datalogger DLU


3. Connect the micro USB socket to the USB port of your PC. The PC automatically installs a new COM interface.
4. Start the program "Thies Device Utility" and press the button „Search“ 
5. The tool „Thies Device Utility“ searches for connected devices on the serial ports. After completion of the search, it shows at the display the found datalogger.



Figure 2: Thies Device Utility Screenshot

6. Please press button „Terminal“

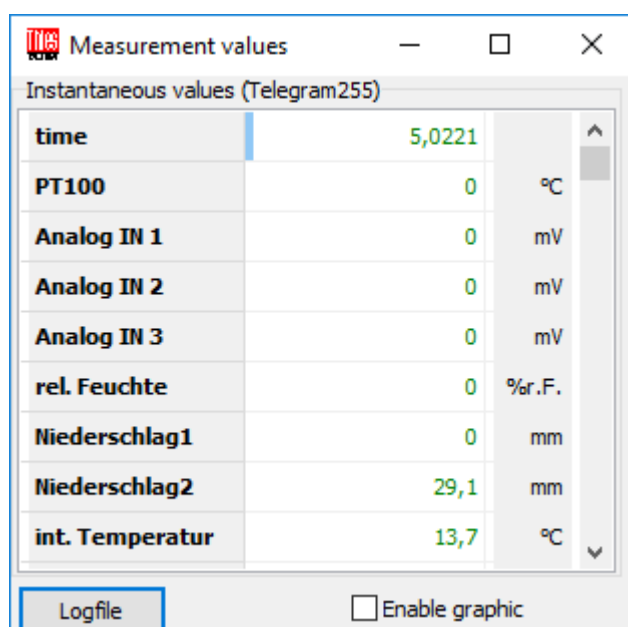


Figure 3: Measurement query

The program queries and displays all measured values of the datalogger.

Further information on querying archive values and querying for data with Mevis is available in the operating instructions of the DLU.

The “instruction for use” is available for download at the following link.

https://www.thiesclima.com/db/dnl/9.1711.10.0x0_Datalogger-DLU_eng.pdf

**Sprechen Sie mit uns über Ihre Systemanforderungen.
Wir beraten Sie gern.**

ADOLF THIES GMBH & CO. KG

Meteorologie und Umweltmesstechnik
Hauptstraße 76 · 37083 Göttingen · Germany
Tel. +49 551 79001-0 · Fax +49 551 79001-65
info@thiesclima.com

www.thiesclima.com

